

# Z505 12" HEAVY-DUTY DRAIN



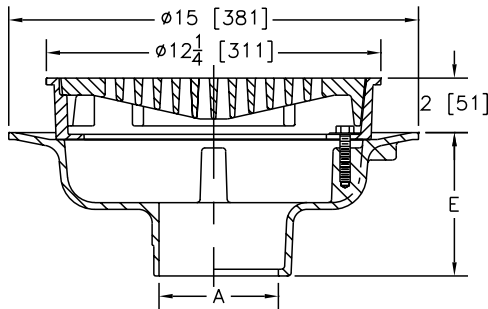
## ENGINEERING SPECIFICATION

Zurn Z505 12" diameter top drain features Dura-Coated cast iron body with bottom outlet, seepage pan and combination membrane flashing clamp and frame for heavy-duty, deep flange, slotted grate.

## NOTES

<sup>†</sup>Add 3/16" to 2" dimension and 3/4" to 12-1/4" dimension for ZB and ZN

A Pipe Size inch [mm]	Grate Open Area sq in [cm <sup>2</sup> ]	Approximate Weight lb [kg]
2 [51], 3 [76], 4 [102], 6 [152]	30 [194]	38 [17]
8 [203]		40 [18]



PREFIXES	DESCRIPTION	PIPE SIZE	LIST PRICE
Z505*	D.C.C.I. Body and Top	2", 3", 4", 6"	1,271.00
		8"	1,576.00
ZB505	D.C.C.I. Body Assembly with Polished Bronze Top	2", 3", 4", 6" 8"	1,906.00 2,206.00
ZN505	D.C.C.I. Body Assembly with Polished Nickel Bronze Top	2", 3", 4", 6" 8"	2,011.00 2,316.00

OUTLETS (SPECIFY PIPE SIZE IN INCHES AND TYPE OF OUTLET)				
OUTLET TYPE		PIPE SIZE/OUTLET TYPE	E BODY HT. DIM.	ADD
IC	Inside Caulk	3IC, 4IC, 6IC	5-1/4"	N/C
IG	Inside Gasket	3IG, 4IG, 6IG	5-1/4"	N/C
IP	Threaded	2IP, 3IP, 4IP, 6IP, 8IP	3-3/4"	80.00
NH	No-Hub	2NH, 3NH, 4NH, 6NH, 8NH	5-1/4"	N/C
NL	Neo-Loc	2NL, 3NL, 4NL	4-5/8"	N/C

SUFFIXES		ADD	
-AR	Acid Resisting Epoxy Coated Cast Iron	850.00	
-D	Dome Grate	Z	140.00
		ZB	417.00
		ZN	489.00
-DG	Duresist Grate	261.00	
-F	Extension Frame - Per Inch (Specify Height)	125.00	
-G	Galvanized Cast Iron	646.00	
-HP	Heel-Proof Grate	N/C	
-HT	Square Hinged Grate	245.00	
-P	Trap Primer Connection	150.00	
-S	Secondary Strainer	62.00	
Ⓢ -SA	Stabilizer Assembly (See Z1036)	148.00	
-SC	Solid Cover	582.00	
-SS	Stainless Mesh Liner for Bucket	417.00	
-T	Square Top	228.00	
Ⓢ -TC	Neo-Loc Test Cap Gasket (2", 3", 4" NL Bottom Outlet Only)	24.00	
-TS	Top Secured with Slotted Screws	149.00	
-TSP	Trap Seal Protection Device (Size Matches Drain Outlet Selected, See Z1072)	POA	
-V	Backwater Valve-Ball Float Type	-	
-VP	Vandal-Proof Secured Top	132.00	
-Y	Sediment Bucket	257.00	
-90	90° Threaded Side Outlet Body Assembly (2", 3", 4", 6" Only)	365.00	

BEST SELLERS	LIST PRICE
Z505-3NH	1,271.00
Z505-3NH-Y	1,528.00
Z505-3NL	1,271.00
Z505-4NH	1,271.00
Z505-4NH-P	1,421.00
Z505-4NH-P-Y	1,678.00
Z505-4NH-Y	1,528.00
Z505-4NL	1,271.00
Z505-4NL-DG-Y	1,789.00
Z505-4NL-P-VP-Y	1,810.00
Z505-4NL-P-Y	1,678.00
Z505-4NL-Y	1,528.00
Z505-6NH	1,271.00
Z505-6NH-VP-Y	1,660.00
Z505-6NL-Y	1,528.00
Z505-8NH	1,576.00

Supplied By:



877-903-7246

www.commercialplumbingsupply.com

\*Regularly furnished unless otherwise specified.

Items designated as Best Sellers are most specified and are generally in stock for shipment.

Ⓢ This symbol denotes a product that is engineered to reduce installation and rework time.

For additional product information, please visit [www.zurn.com](http://www.zurn.com)